

ECLIPSE

MODEL 3135EC

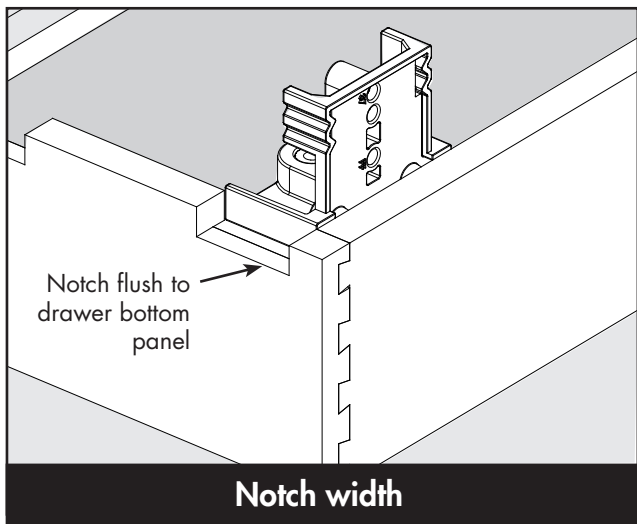
JIG GUIDE

Drill locations for:

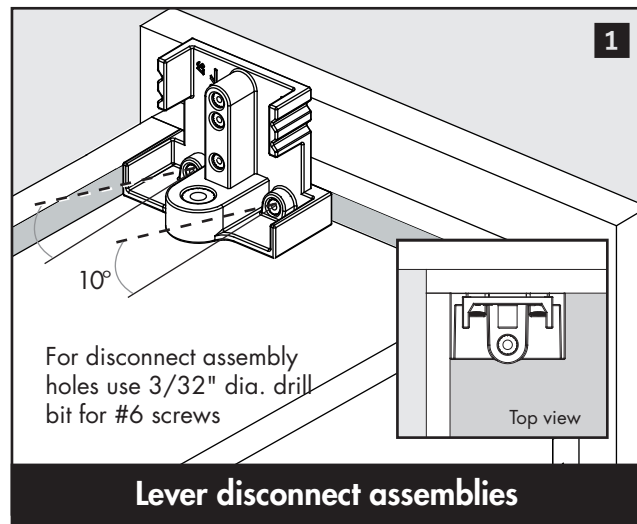
- 1 Lever disconnect assemblies
- 2 Drawer hooks
- 3 Front face frame hole
- 4 Front side mount (37 mm)

Accuride recommends the use of the drill bit in the optional Accuride tool kit (PN 4180-0603-XE) to control drill depth when drilling.

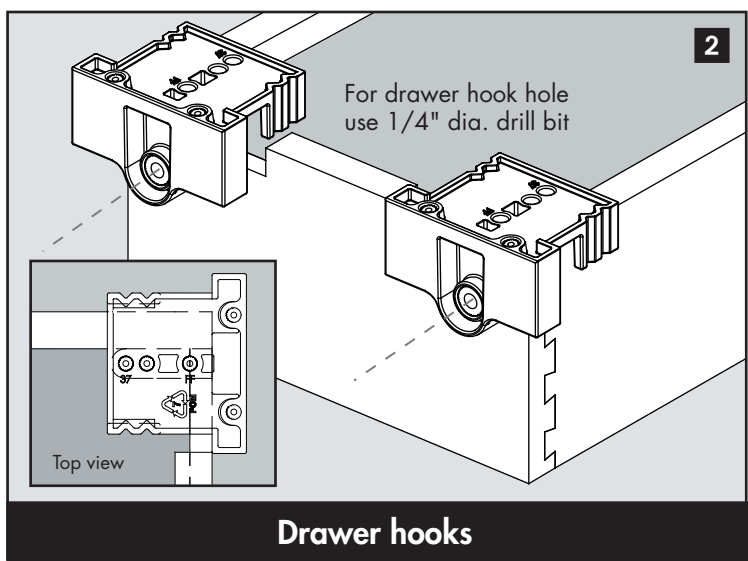
For use with part number: 4180-0568-XE Drill Jig.



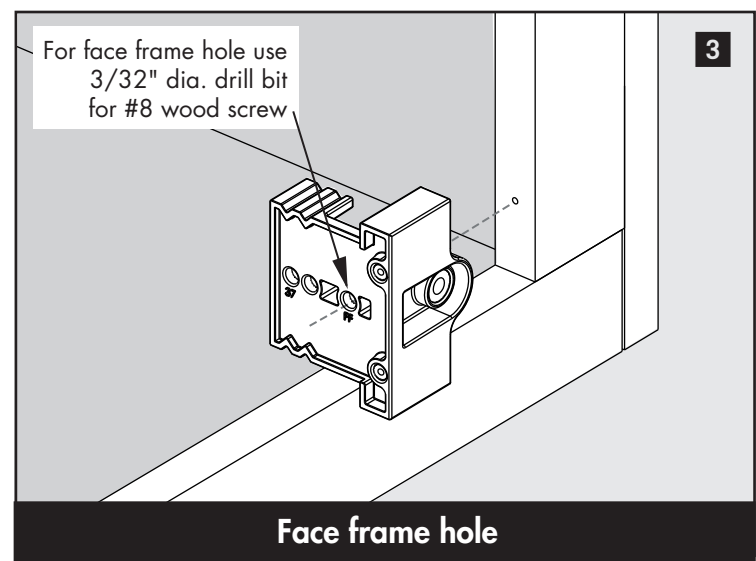
Notch width



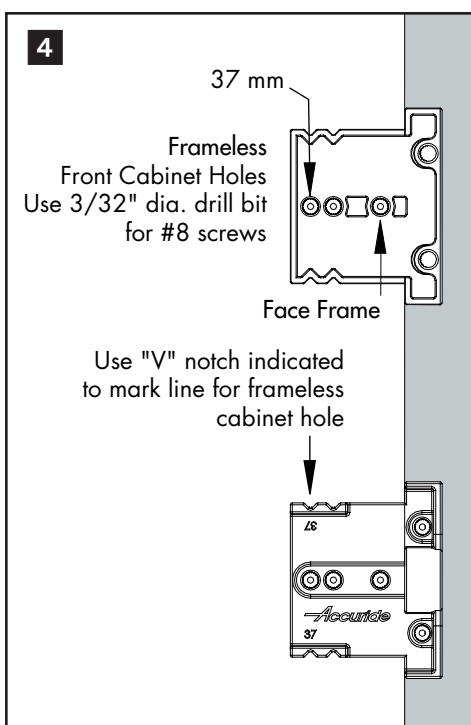
Lever disconnect assemblies



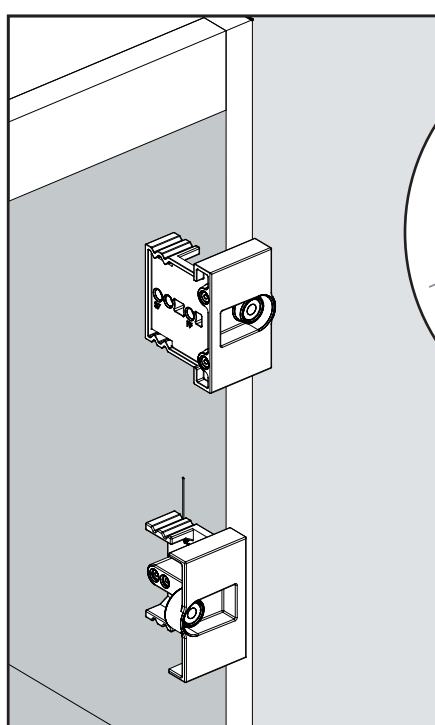
Drawer hooks



Face frame hole



Frameless - Front cabinet holes



Accuride

www accuride.com

General information:

562-903-0200

Tech Support:

562-903-0389