

ECLIPSE

MODEL 3135EC EASY-CLOSE

QUICK START GUIDE

DRAWER PREPARATION

FORMULA FOR CALCULATING DRAWER BOX LENGTH

Slide length = Outside drawer box length
(Example: If slide length = 16", the outside length of the drawer box = 16")

FORMULA FOR CALCULATING DRAWER BOX HEIGHT

Maximum drawer height = cabinet height minus 13/16"

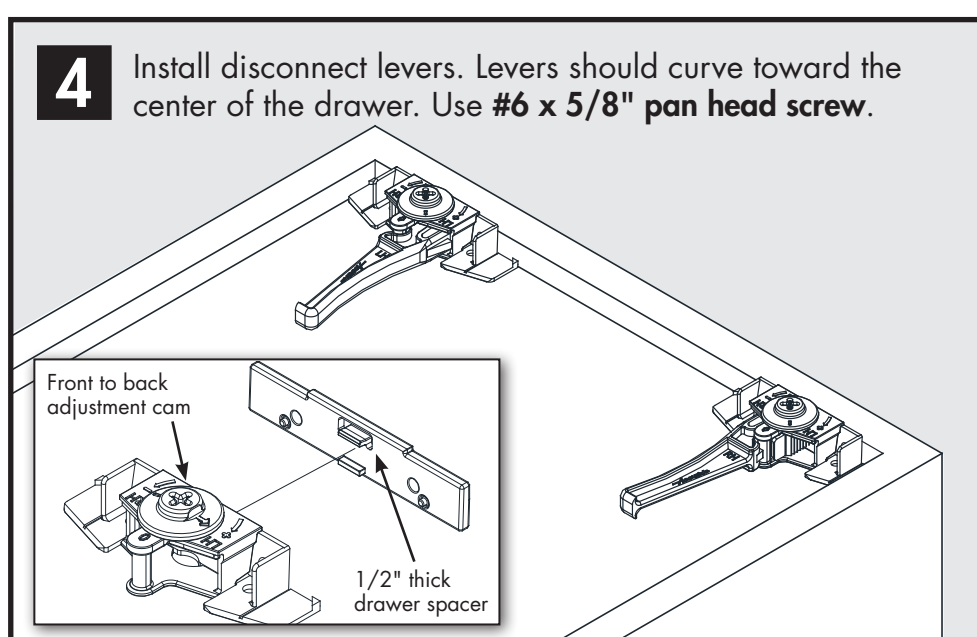
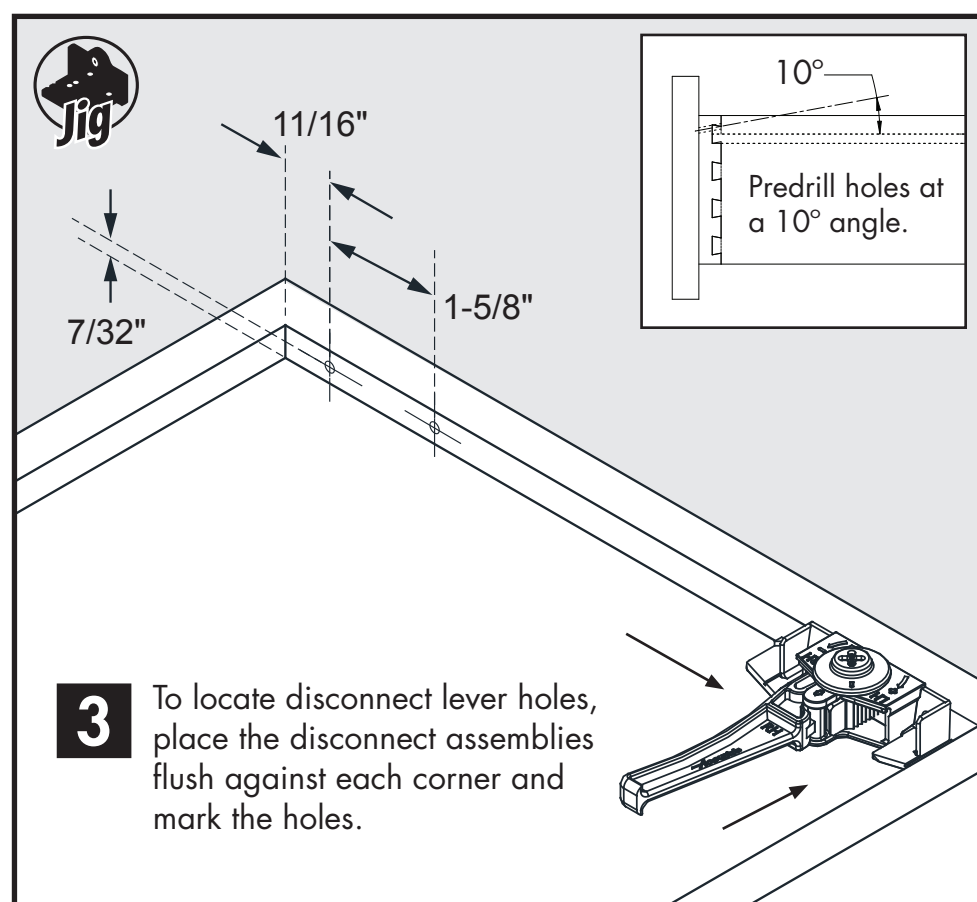
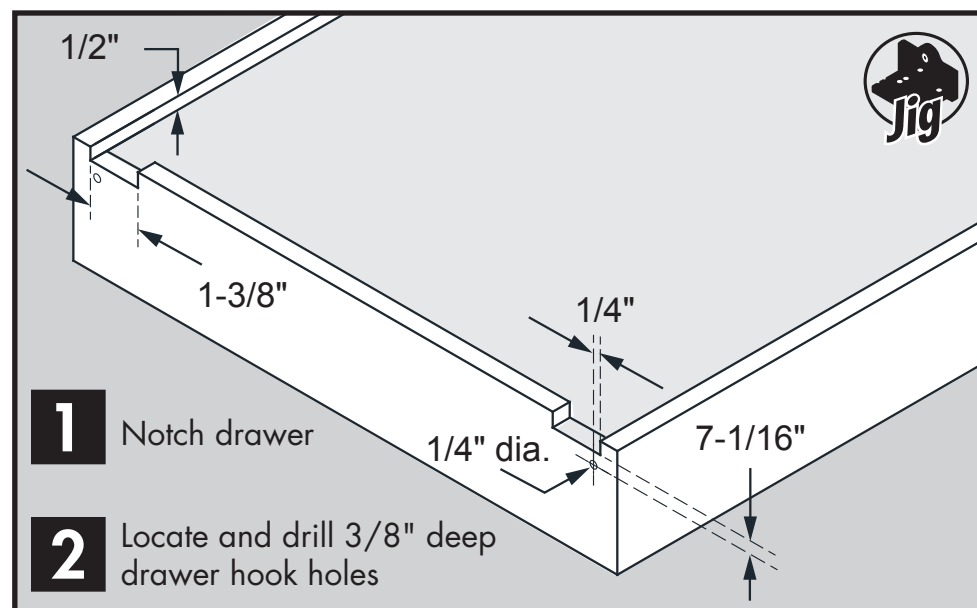
Drawer Box Length tolerance +0/-1/16"

FORMULA FOR CALCULATING DRAWER BOX WIDTH

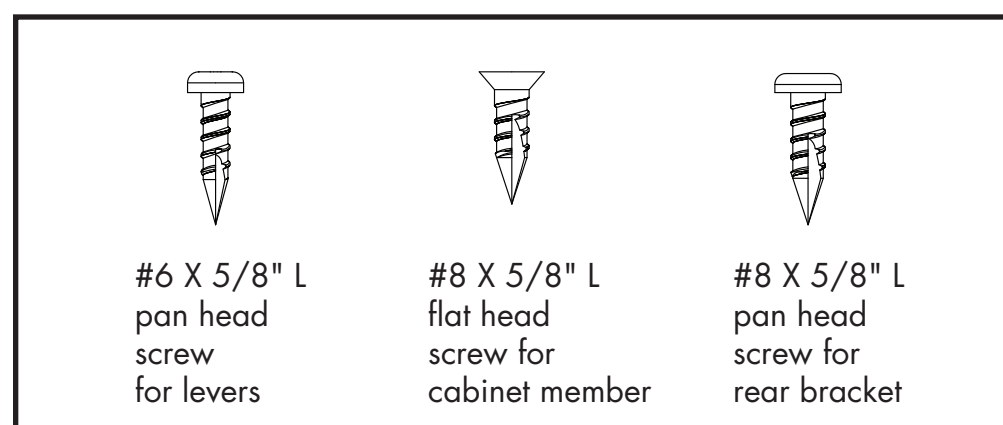
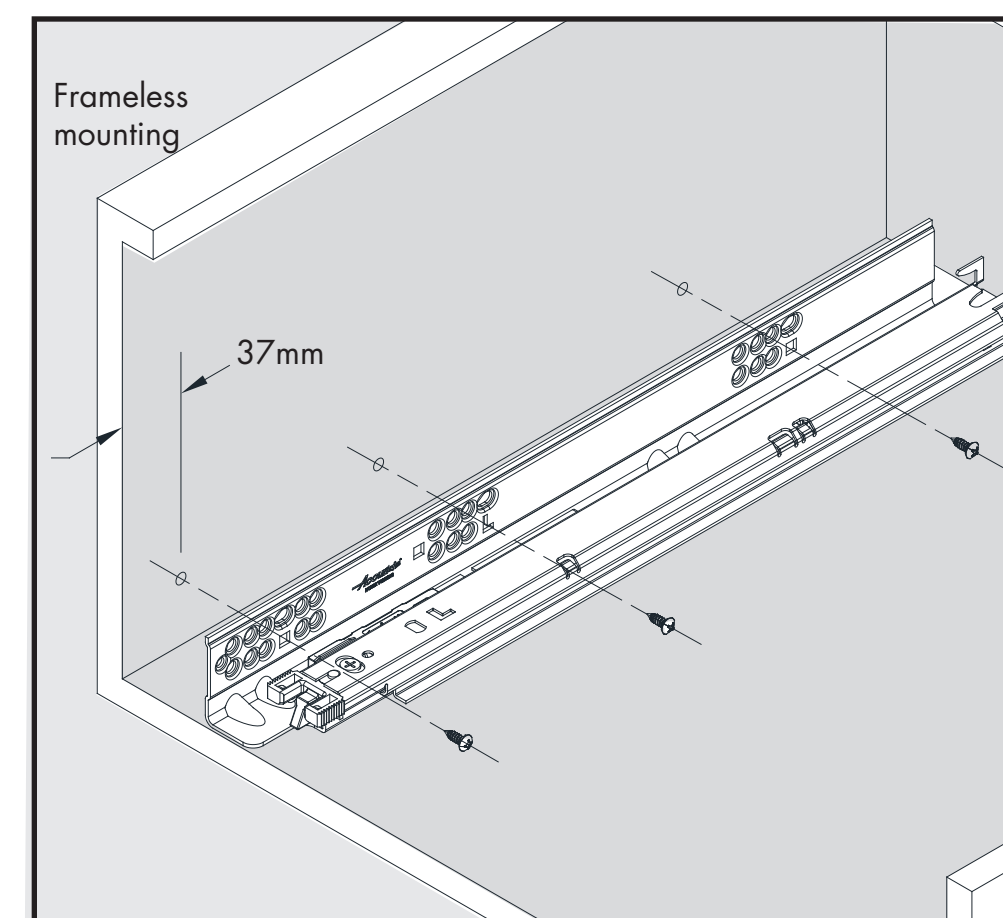
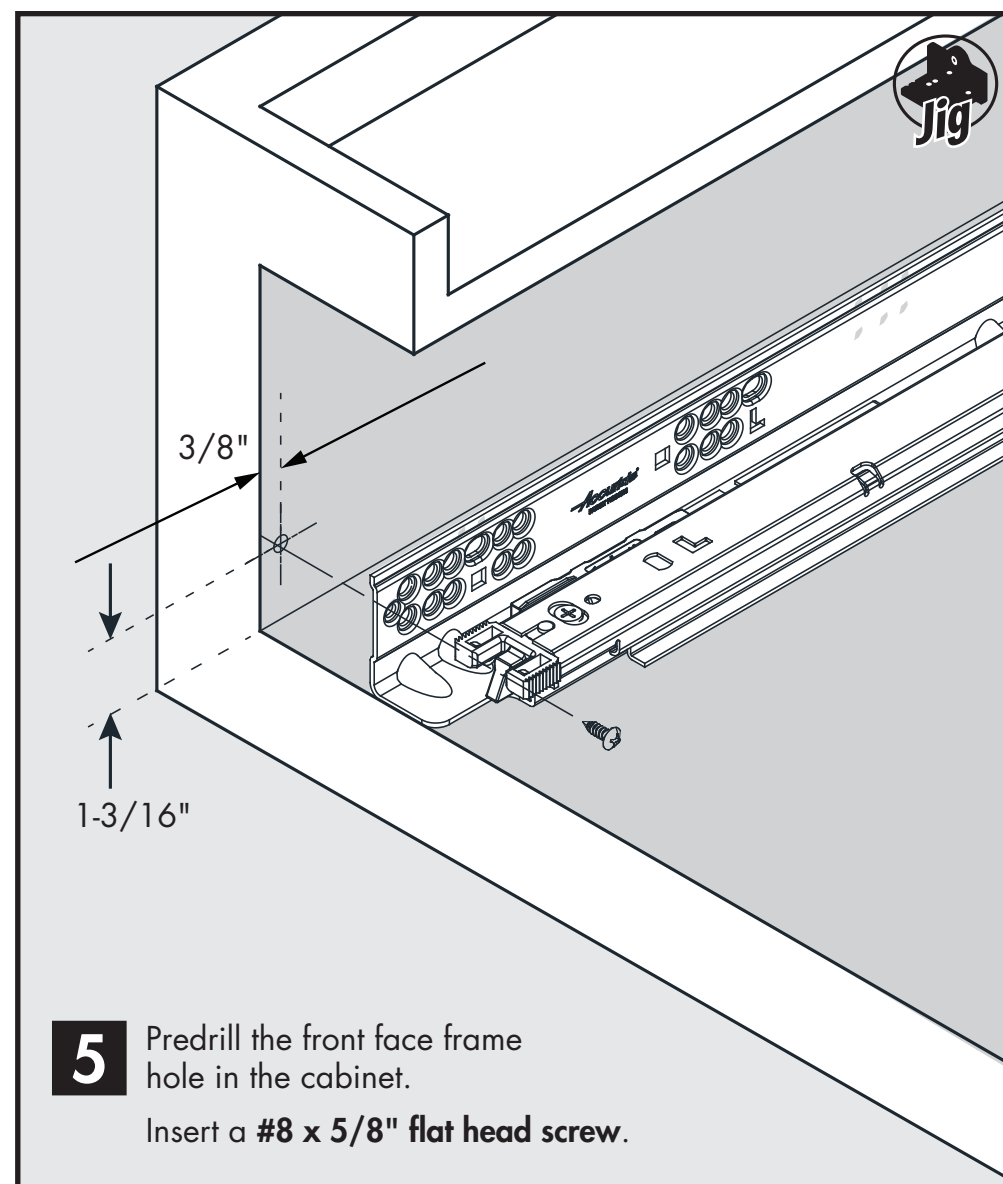
For drawer side thickness: 5/8" 16mm 19/32" 15mm 9/16" 14mm 1/2" 13mm

For inside drawer width, deduct from inside cabinet width: 1-3/4" 44.45mm 1-3/4" 44.45mm 1-3/4" 44.45mm 1-3/4" 44.45mm

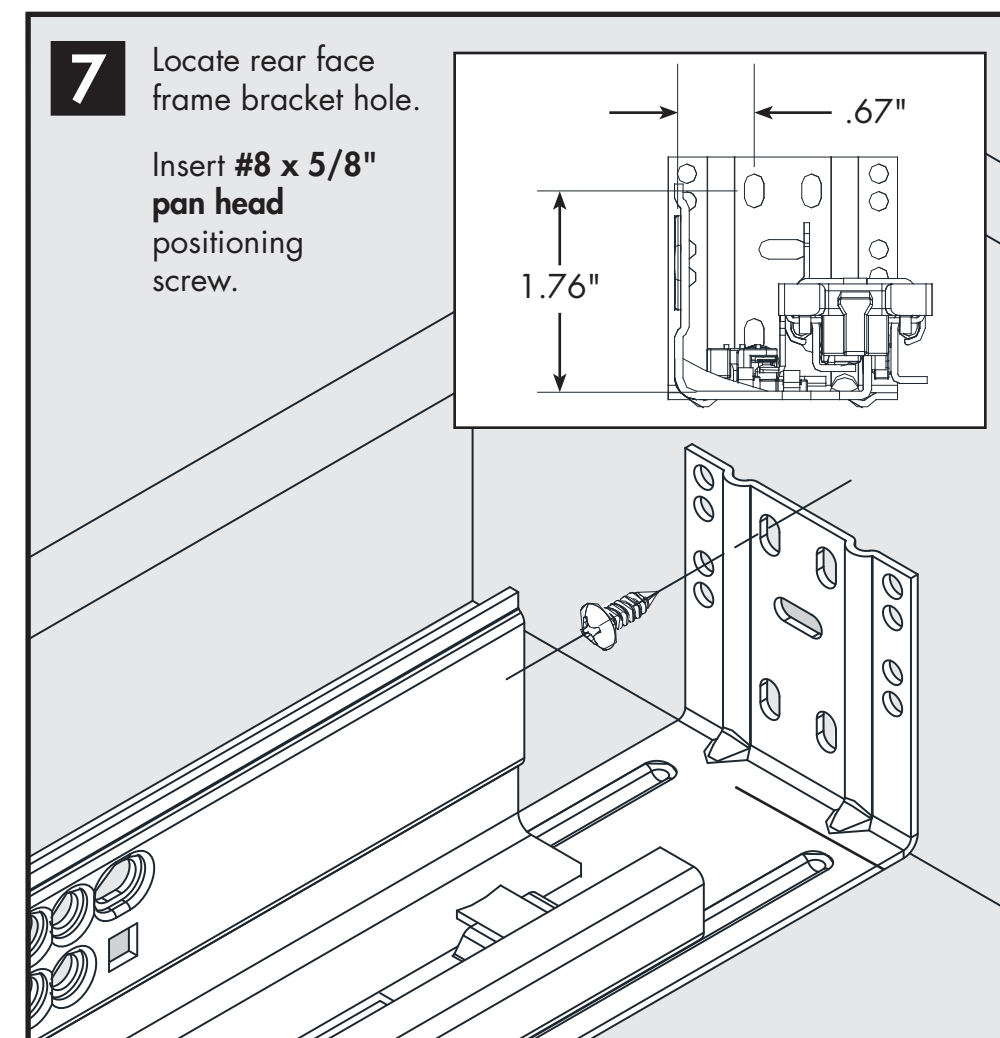
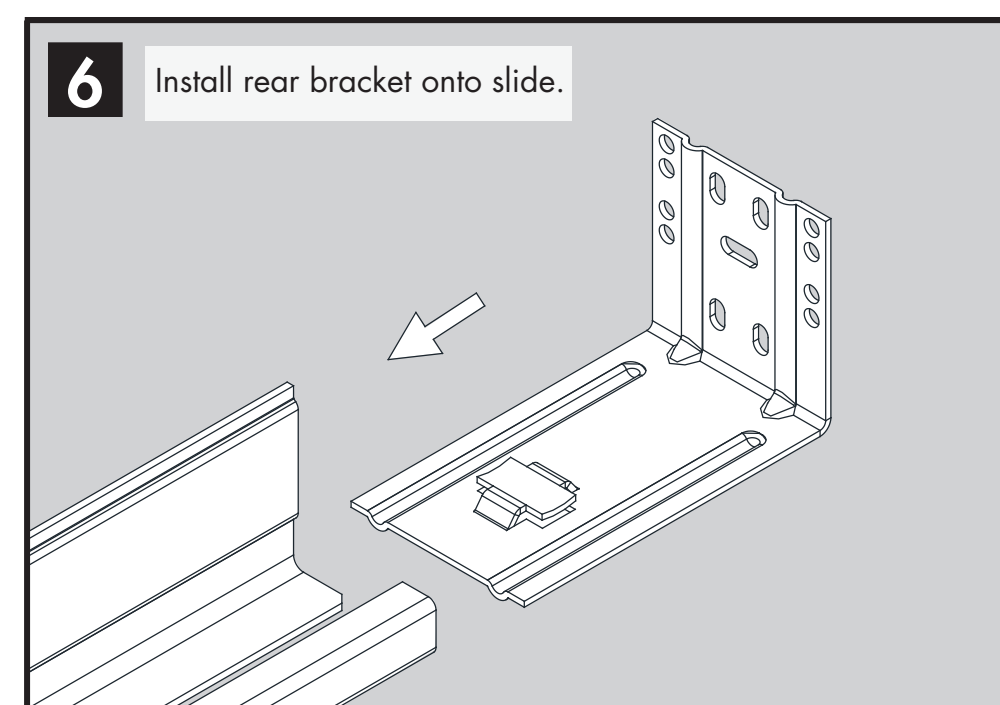
For outside drawer width, deduct from inside cabinet width: 1/2" 13mm 9/16" 15mm 5/8" 17mm 3/4" 19mm



CABINET MEMBER



REAR FACE FRAME BRACKET



OPTIONAL KITS:

Drilling Jig
PN 4180-0568-XE

Slotted Rear Face Frame Bracket
PN 4180-0656-XE

Bottom Mount Bracket
PN 4180-0569-XE

Inset Face Frame Bracket
PN 4180-0604-XE

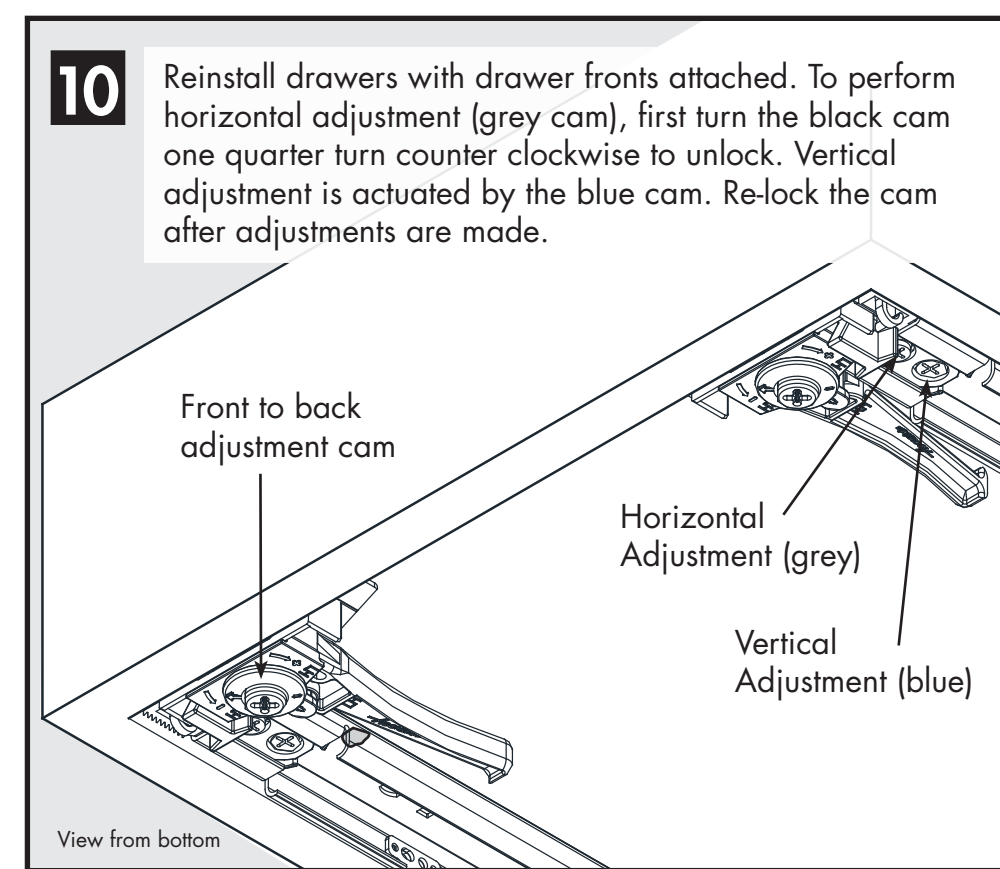
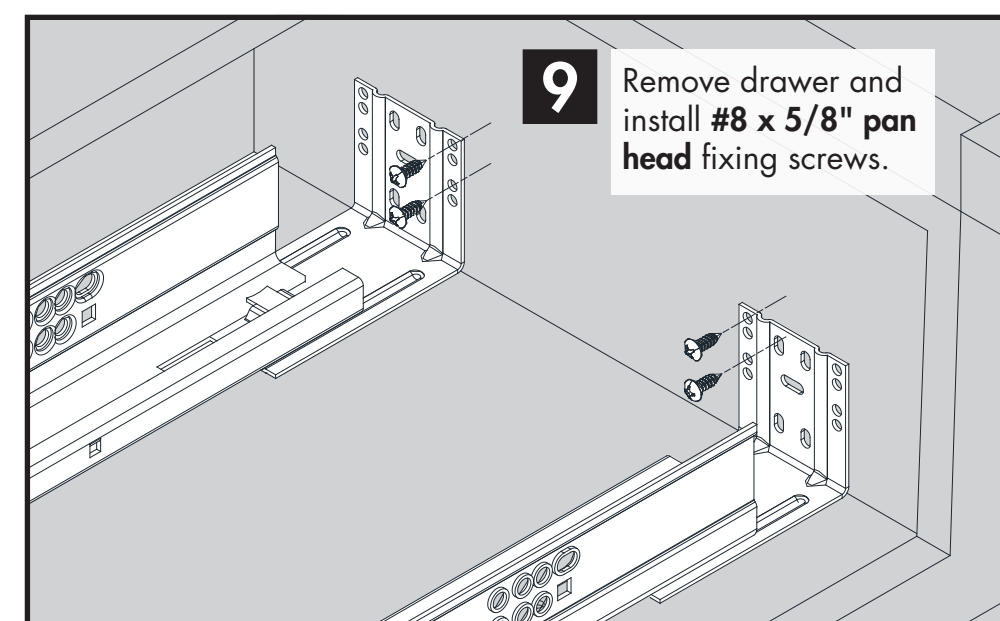
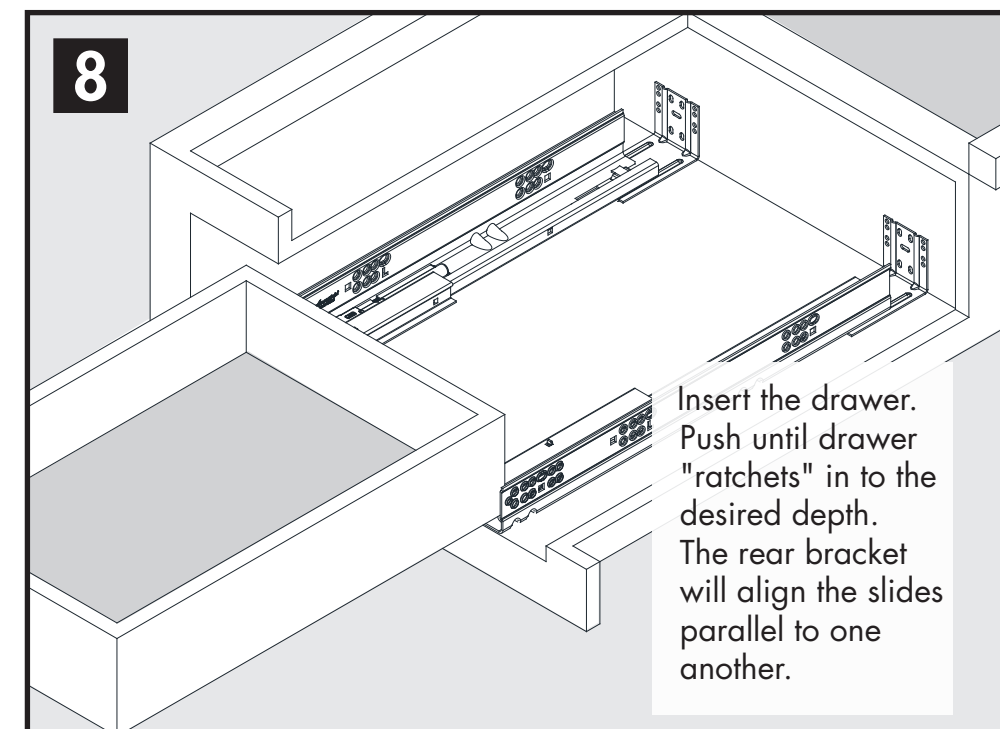
Bottom Inset Face Frame Bracket
PN 4180-0605-XE

Vertical Mount Disconnect
PN 4180-0747-XE

Tool Kit
PN 4180-0603-XE

For more detailed installation information, see product technical sheet.

DRAWER INSERTION & ADJUSTMENT



NOTE: Install knobs or pulls after drawer fronts are adjusted to ensure proper alignment.

Accuride

12311 Shoemaker Avenue • Santa Fe Springs, CA 90670
(562) 903-0200
www.accuride.com